

DECK

This is a cap with a street style and a special shape. It's our DECK, a flat visor cap with 7 panels in chino cotton. The ideal shape for frontal customization.

Technical accessories

Composition	Main Fabric: 100% Chino Cotton twill - 280 gsm
Panels	5 Panels
Sweatband	Sweatband in Cotton Twill (closed on back)
Eyelets	6 Sewn eyelets on crown
Buckram	Buckram oxford
Closure	Pvc Closure
Size	One size fits all
Packing	24 x 144
Custom code	6505.00.30
Made in	China

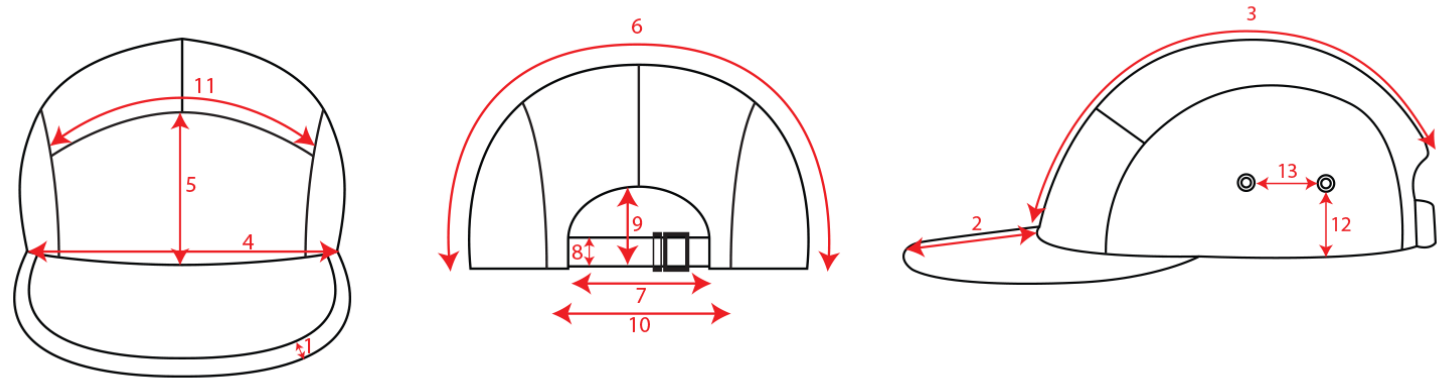
Where to customize

Centimeters

	Front	Back	Closure	Right	Left
Print	14 x 6	-	6 x 1,2	6 x 5	6 x 5
Embroidery	14 x 6	8 x 3,5	-	12 x 6	12 x 6
Heat transfer	8 x 6	-	-		

Technical Size (cm)

- 1 0.2
- 2 7.0
- 3 16.5
- 4 19.0
- 5 9.2
- 6 34.5
- 7 7.0
- 8 2.0
- 9 6.0
- 10 8.0



Color variants (TPX / Pantone)

WHITE



HAT: 11-0601 / WHITE

BLACK



HAT: 19-4005 / BLACK-C

NAVY



HAT: 19-4010 / 433-C

BURGUNDY



HAT: 19-2430 / 7643-C

RED



HAT: 19-1761 / 200-C

GREY



HAT: 16-3802 / 408-C